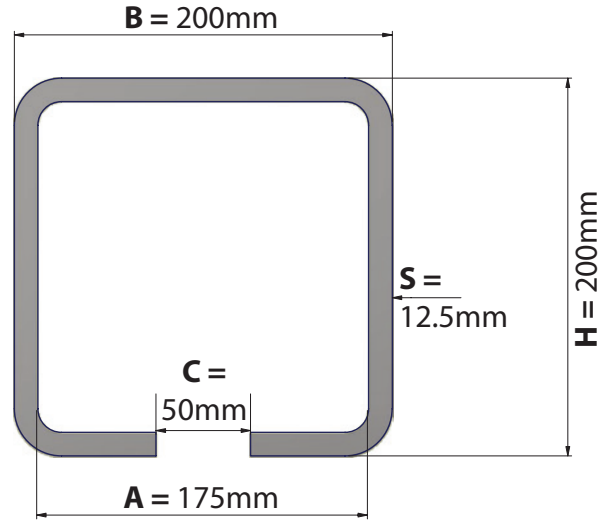
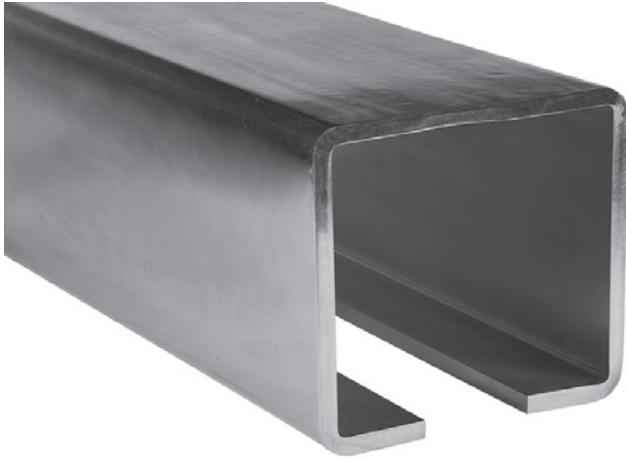


Extra Large Track,  
Only available raw steel

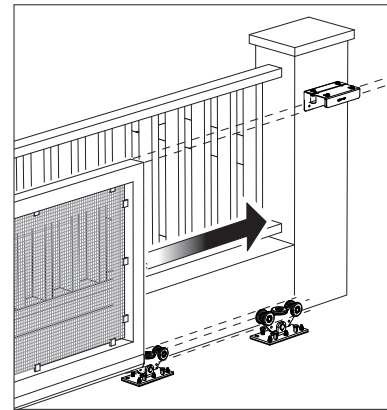
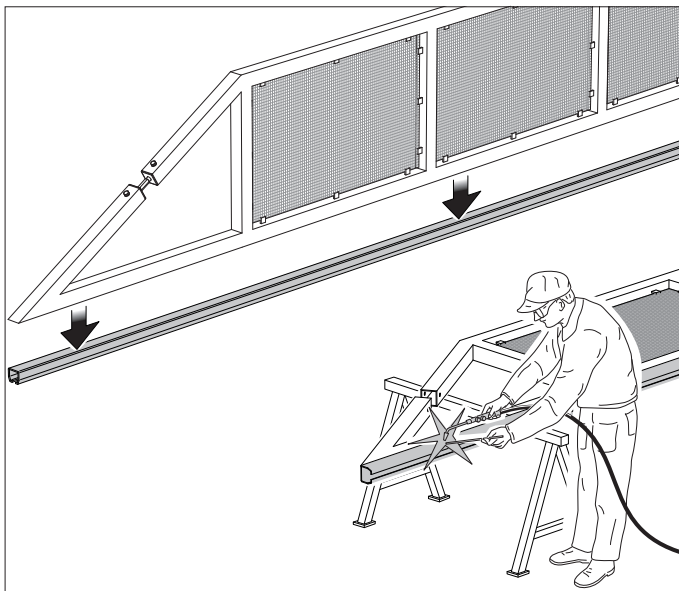


**CGS-495-20K Track for use with CGS-450.9-20K Carriage**

MODEL TRACK	A BOTTOM ID mm	B TOP WIDTH mm	C OPENING SLOT mm	H HEIGHT Inch	S THICKNESS mm
CGS-495-20K	175	200	60	50	12.5

**ALL MEASUREMENTS  
ARE IN MILLIMETERS**

**RAW** steel track lengths available in 3M only



**Illustrations not to scale and are for reference only. Imperial units shown are for reference only, use millimeters for most accurate sizes.**

*All pictures, technical drawings and related specifications belong to Fratelli Comunello Spa and they are defended by rules of copyright. All uses not expressly authorized will be legally prosecuted. Product specifications are subject to change without notice.*