

USE: Threaded anchor bolt for self-supporting carriages.

FIXING: For cementing in the concrete base

RECYCLING: Disposal as ferrous material in accordance with the current laws in the country of installation.

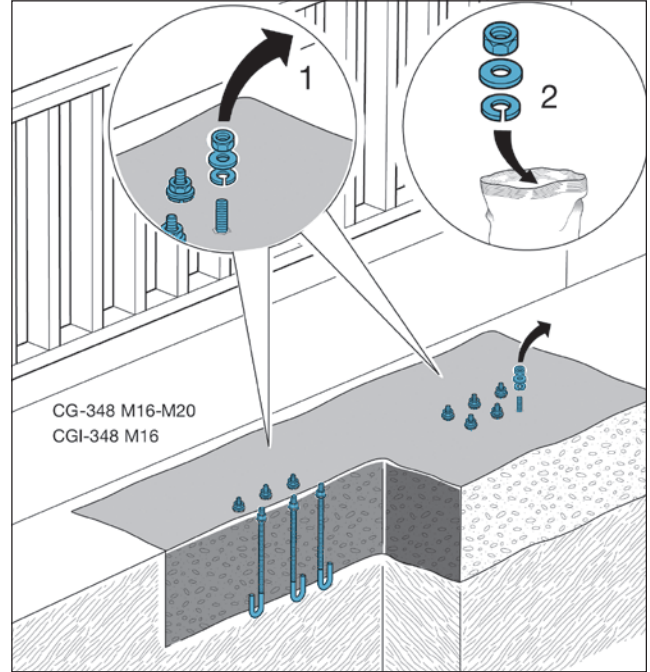
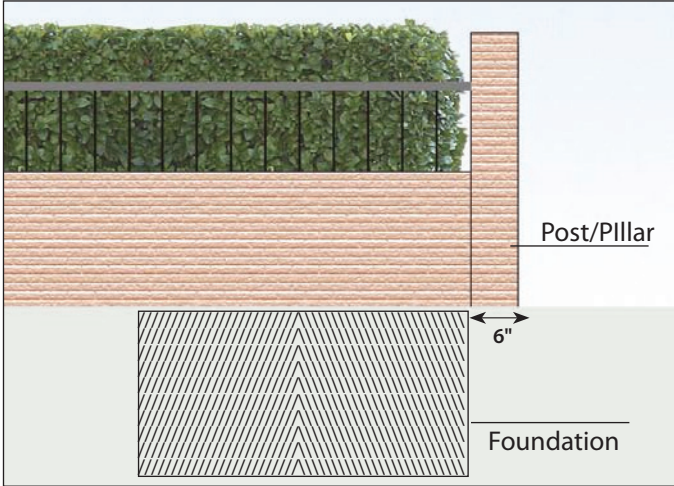
IMPORTANT: The manufacturer reserves the right to modify the characteristics of the product as required without notice. The manufacturer declines any liability for even partial modifications to the product, and the declared performance values are valid only if the installation procedures are carried out by qualified personnel.

MAINTENANCE FREQUENCY: This article does not require any type of maintenance. In case of product replacement, check its functionality.

TECHNICAL CHARACTERISTICS			
	CG-348 M16	CG-348 M20	CGI-348 M16
WEIGHT OF PART	0,70 Kg	1,09 Kg	0,70 Kg
MATERIAL	Galvanised steel	Galvanised steel	Stainless steel
COMBINED CARRIAGES	CGS-350.5M - CGS-250.5M CGS-350.8M - CGS-250.8M CGS-350.5P - CGS-250.5P CGS-350.8P - CGS-250.8P CGA-350.5P CGS-150.5M CGS-150.5P	CGS-350.5G CGS-250.5G CGS-350.8G CGS-250.8G CGS-150.5G	CGI-350.5P

Illustrations not to scale and are for reference only. Imperial units shown are for reference only, use millimeters for most accurate sizes.

All pictures, technical drawings and related specifications belong to Fratelli Comunello Spa and they are defended by rules of copyright.
All uses not expressly authorized will be legally prosecuted. Product specifications are subject to change without notice.

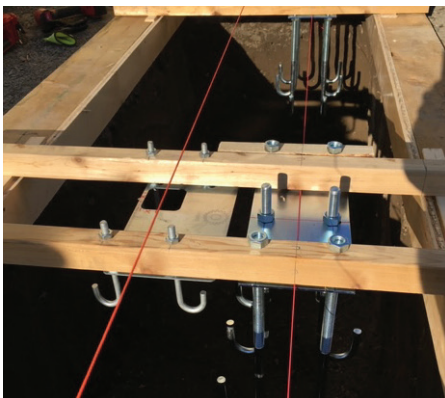


J-Bolt Tie Rod

Once the foundation is laid, fill the hole with cement until the excavation area is covered.
Sink or hang the tie rods in the concrete so they will be equally centered on the slab and tail end of the gate.
Be sure the center-to-center distance on the carriages is as specified on your configuration sheet (letter "I").

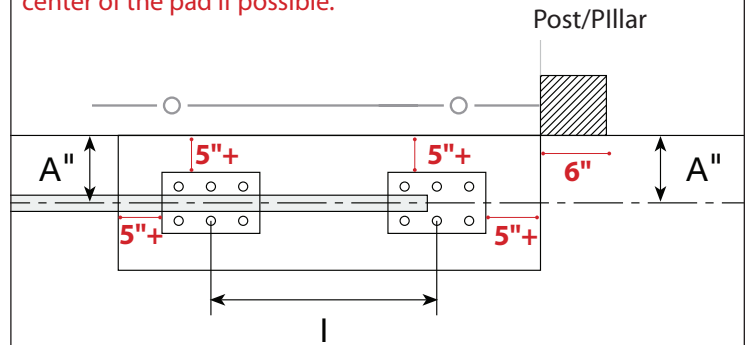


Line up the bolts. Use a string line, template, or other means to ensure bolts are correctly spaced apart. Use the (I) dimension from the project summary. Line up with the other carriage and run parallel to the gate opening.



Note: The top of the bolt/tie rod should stick out of the cement at least 2". Keep nut on top of concrete, do not sink in.

The carriage plate should be no less than 5" from each edge of the concrete slab. Ideally the carriages should be "floated" in the center of the pad if possible.



Note: The pad can start under the fence line. This is done to keep the gate face at no more than 2-1/4" from the fence line and to avoid entrapment.

Wrong Installations

