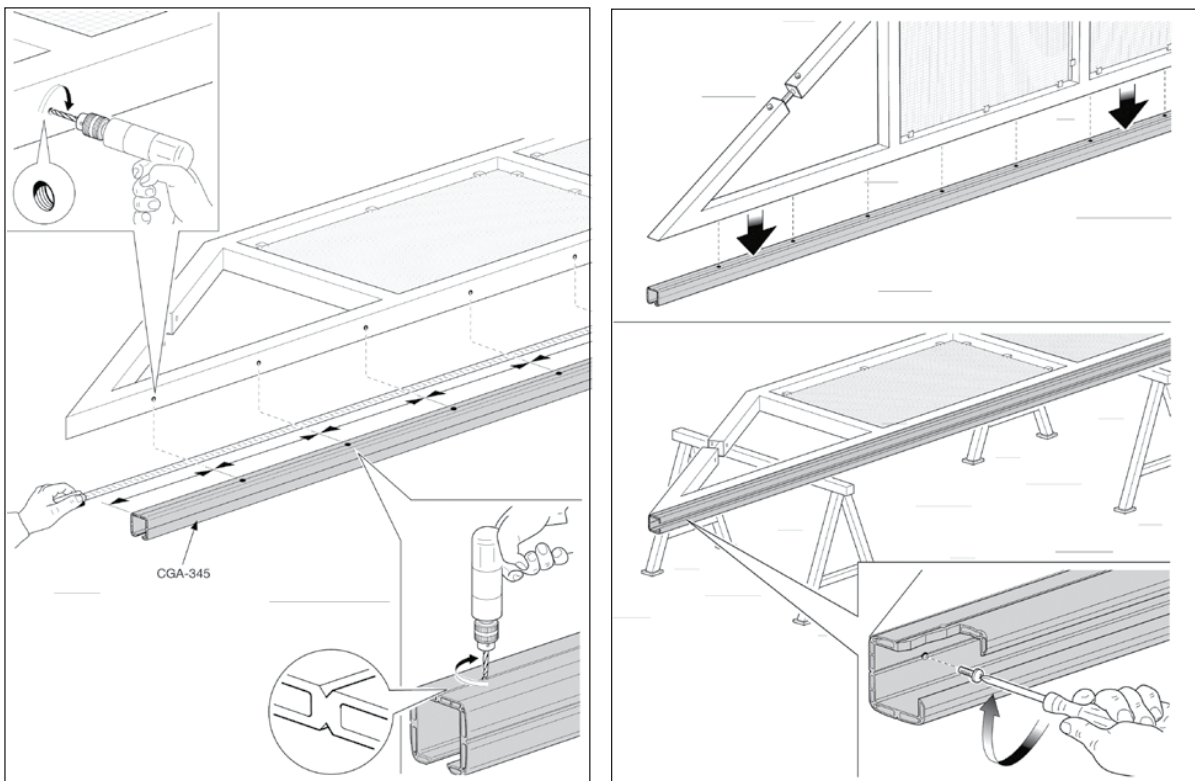


CGA-345P Track for use with CGA-350.5P Carriage

MODEL TRACK	A		B		C		H		S	
	Bottom ID	Top Width	Opening Slot	Height	Thickness	Inch	mm	Inch	mm	
CGA-345P	3 3/16	80.5	4 3/16	106.5	1 3/16	30	4	102.5	-	-

Extruded aluminum track lengths available in 3M and 6M



Illustrations not to scale and are for reference only. Imperial units shown are for reference only, use millimeters for most accurate sizes.

All pictures, technical drawings and related specifications belong to Fratelli Comunello Spa and they are defended by rules of copyright. All uses not expressly authorized will be legally prosecuted. Product specifications are subject to change without notice.