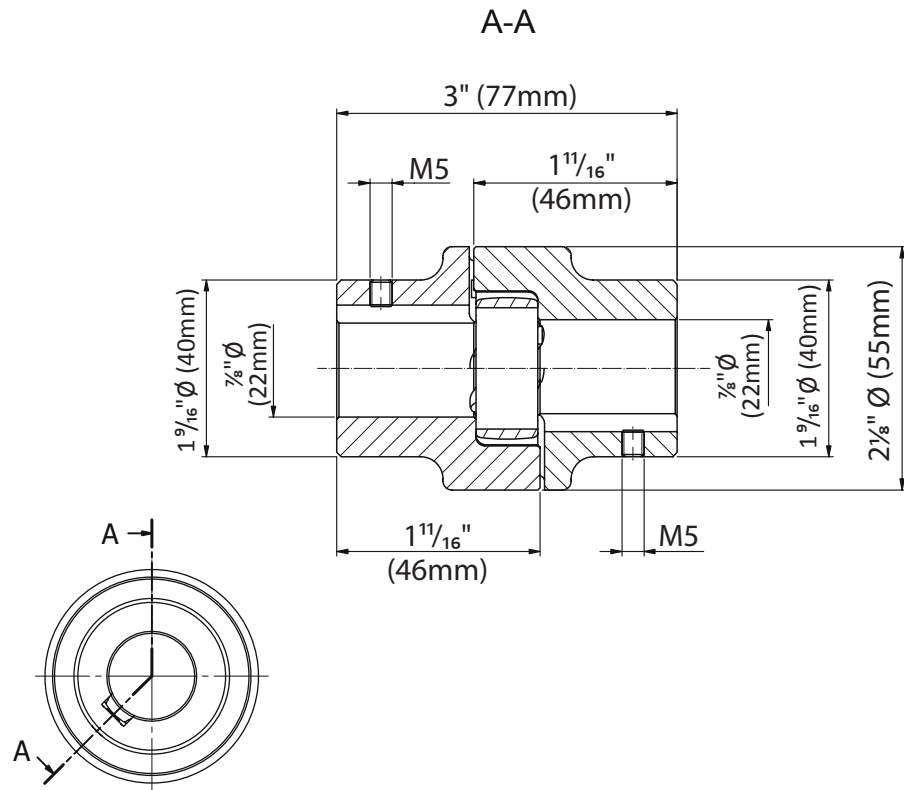


Drive Shaft Coupling  
for use with CGS-500.8M & CGS-500.8P  
Integrator Carriages



USE: Adapter for connecting Integrator carriages with motor.

TYPE: Adapter for Piccolo and Mini Integrator carriages.

FIXING: Use 2 M6 headless screws.

Material: galvanized steel.

RECYCLING: Dispose of the bushes, screws and latches as ferrous material according to the laws of the installation's country.

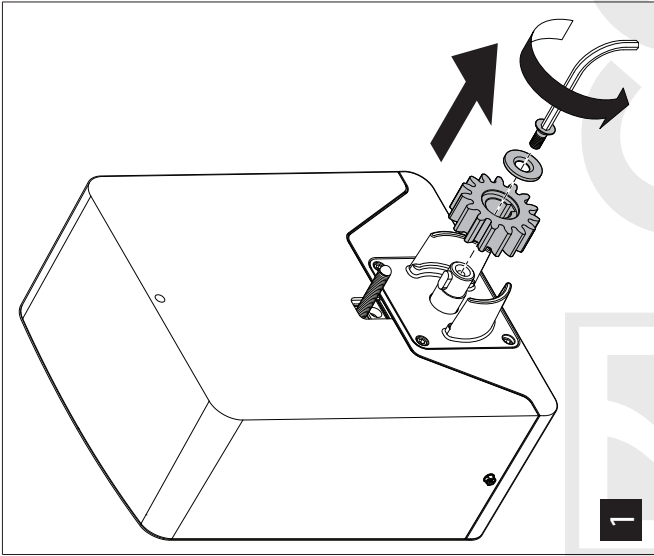
WEAR PARTS: latches.

WARNINGS: The manufacturer reserves the right to change the characteristics of the product according to his needs without prior notice. The manufacturer is not liable for even partial modifications of the product and the declared performances are valid only if the installation methods indicated in the instructions and performed by qualified personnel are followed.

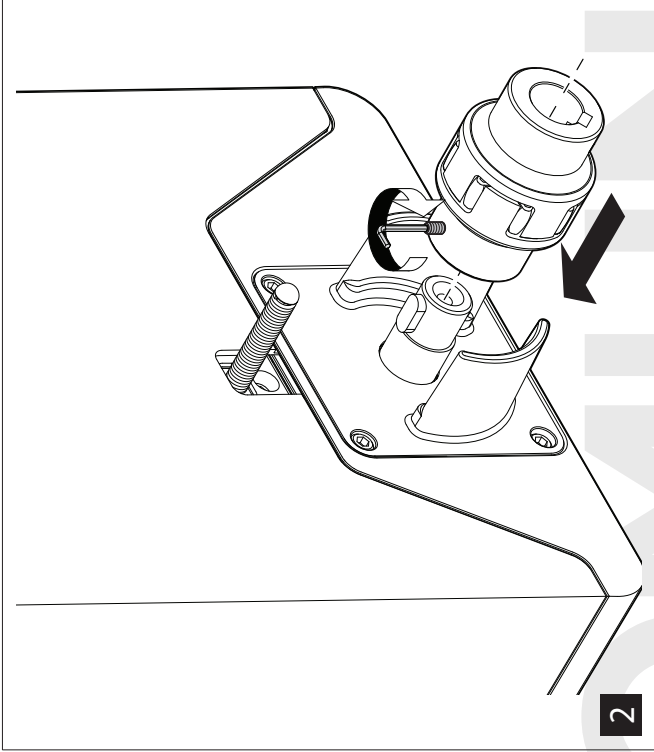
TECHNICAL CHARACTERISTICS				
WEIGHT OF PART		0,65 Kg		
MAINTENANCE FREQUENCY				
PRIVATE HOME	BUSINESS	WAREHOUSE	CONDOMINIUM <20 UNITS	CONDOMINIUM > 20 UNITS
2 YEAR*	2 YEAR*	1 YEAR*	6 MONTHS*	6 MONTHS*
COMBINED CARRIAGES		CGS 500.8 M CGS 500.8 P		
Check wear of the latches.				
Check that the bushing locking screws are fixed to the shaft.				
*The scheme refers to a normal workplace (not marine or particularly aggressive environments).				

**Illustrations not to scale and are for reference only. Imperial units shown are for reference only, use millimeters for most accurate sizes.**

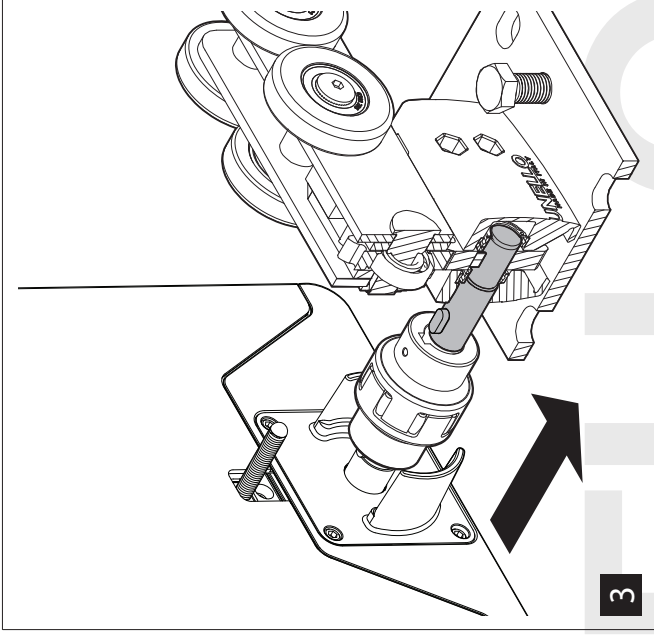
All pictures, technical drawings and related specifications belong to Fratelli Comunello Spa and they are defended by rules of copyright.  
All uses not expressly authorized will be legally prosecuted. Product specifications are subject to change without notice.



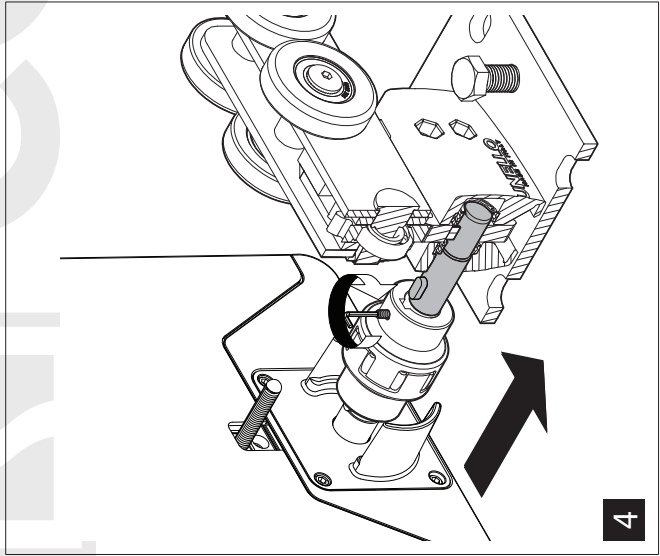
1



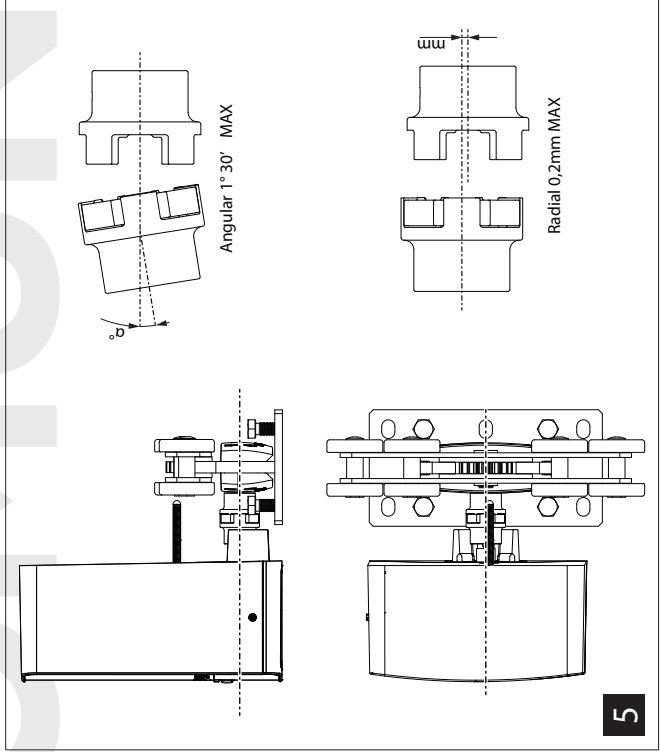
2



3



4



5

Per automatizzare il sistema Integrator Mini e Piccolo con attuatori Comunello (Fort 400/500/600/800/1000/1500) vedere l'articolo "Finecorsa elettromeccanico" AC-206 nella divisione Comunello Automation. Su richiesta disponibili adattatori per qualsiasi marca di attuatore.

To automate the Mini and Piccolo Integrator system with Comunello actuators (Fort 400/500/600/800/1000/1500) see item "Electromechanical limit switch" AC-206 in the Comunello Automation division. On demand available adapters for any brand of actuator.