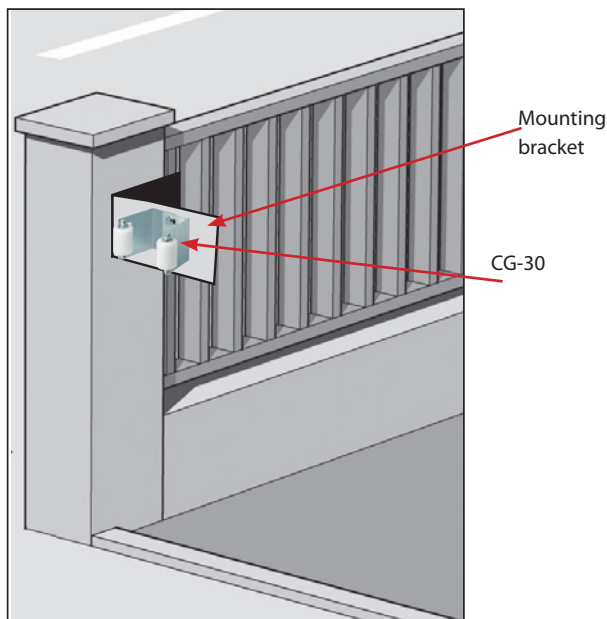


The gate receiver can be installed on the closed side of the gate to keep the gate steady at the top. Install the gate receiver to a mounting bracket.



USE: Adjustable striker plate for sliding or self-supporting gates.
 FIXING: For fixing on the concrete column on the special bracket CG-15.
 MATERIAL: Body in electrogalvanised steel and roller in nylon.
 RECYCLING: Disposal of body as ferrous material and rollers as plastic material in accordance with the current laws in the country of installation.
 IMPORTANT: The manufacturer reserves the right to modify the characteristics of the product as required without notice. The manufacturer declines any liability for even partial modifications to the product, and the declared performance values are valid only if the installation procedures are carried out by qualified personnel.
 MAINTENANCE FREQUENCY: This article does not require any type of maintenance. Check its functionality and replace the product if necessary.

TECHNICAL CHARACTERISTICS			
	CG-30M	CG-30P	CG-30G
WEIGHT OF PART	1,50 Kg	1,90 Kg	2,30 Kg
MIN. WIDTH OF SIDE UPRIGHT	50 mm	80 mm	100 mm
MAX. WIDTH OF SIDE UPRIGHT	70 mm	110 mm	140 mm
ASSOCIATED CORNER BRACKET	CG-15M	CG-15P	CG-15G

Illustrations not to scale and are for reference only. Imperial units shown are for reference only, use millimeters for most accurate sizes.

All pictures, technical drawings and related specifications belong to Fratelli Comunello Spa and they are defended by rules of copyright. All uses not expressly authorized will be legally prosecuted. Product specifications are subject to change without notice.