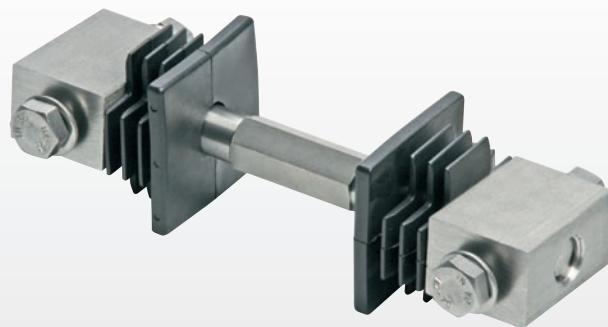
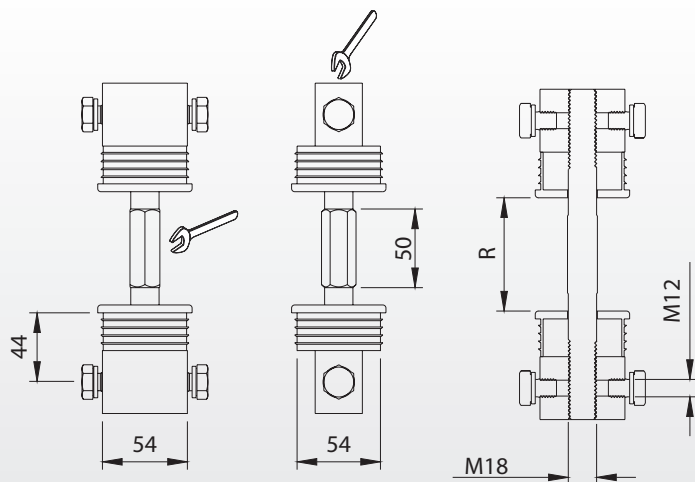





Tirante in acciaio inox per regolazioni cancelli

Tension bars in stainless steel for regulating gates
 Tirants en acier inox pour réglage portails
 Ankerbolzen aus Edelstahl zur Torregulierung

CGI-40



Articolo	INOX	R			
CGI-40	10131200	50-100	19	1	1,30

